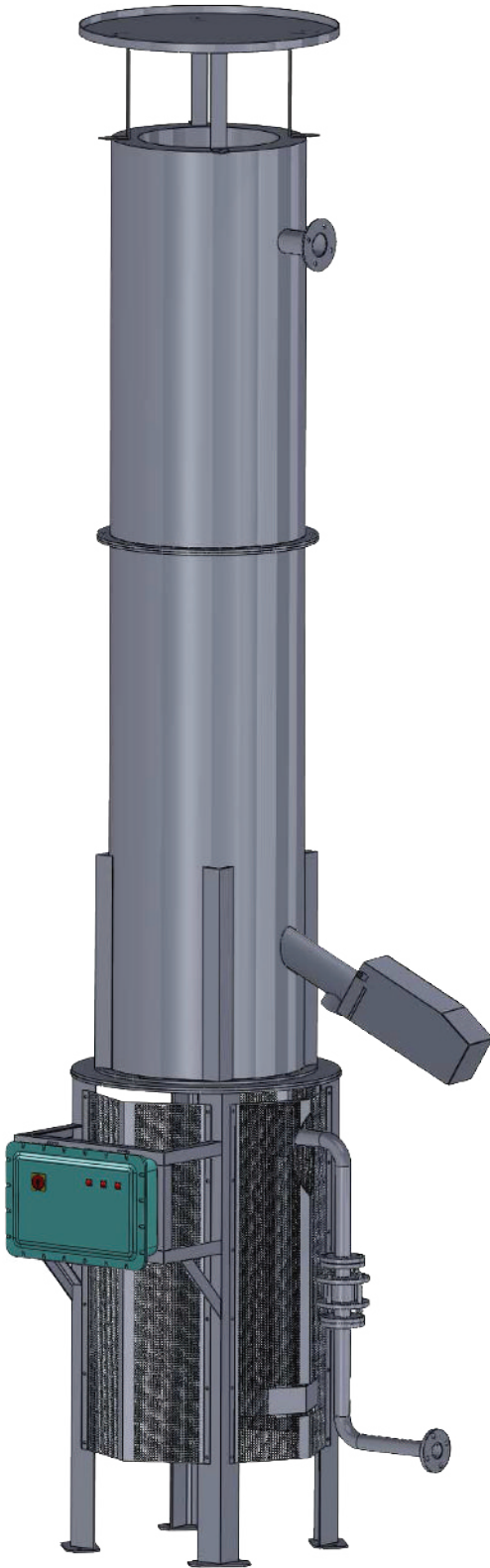


## Enclosed Emergency Flare TC series



### EQUIPMENT TYPE

Enclosed emergency flare TC series are typically used in combination with gas holder in biogas plants to release gas surplus in a safety way.

### APPLICATION

Used for important gas flow in production biogas line and for landfill gas.

### OPERATING PRINCIPLE

Gas Flares are designed to work in case of emergency or when there is an excess of biogas production they can be divided into two categories:

- Open flare type - visible flame
- Enclosed flare type - invisible flame

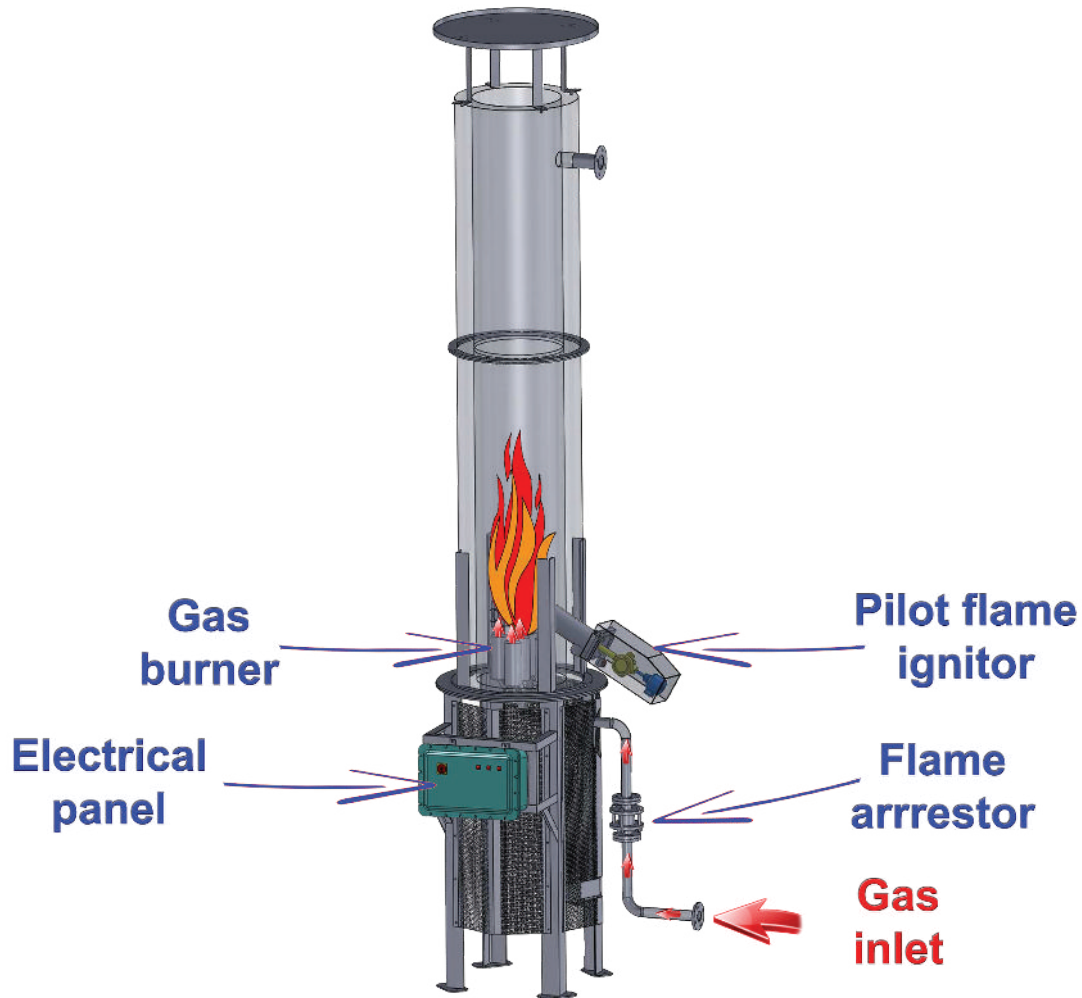
Enclosed flares are usually ground based permanent plants which house a single burner or array of burners enclosed within a cylindrical enclosure lined with refractory material.

Emergency biogas enclosed flare TC series has a free flame at about 1000/1200 ° C and is able to oxidize all pollutants present in the biogas.

The enclosed flare is composed of a hot galvanized steel frame, a flow control valve, a flame arrestor, a gas burner and a pilot flame igniter.

### MAIN ADVANTAGE

- Easy maintenance



Gas flow m <sup>3</sup> /h	From 10	to 2.000
Dimensions	As required by the customer.	
Flame arrester	Made of stainless steel AISI 304.	
Valves	Pneumatic or electrical.	
Gas burner	With thermocouple safety monitoring.	
Igniter	Ad high energy with UV control.	

## CONSTRUCTION

The structure is made of hot galvanized steel, however the other components are made of stainless steel AISI 304. On the structure are mounted: the gas supply tube, the Flame arrester, the burner, the control panel, and Pilot flame igniter. The burner is protected from the wind by a screen.

## OPTIONAL

- Structure made of stainless steel
- Galvanized steel stairs
- Control panel ATEX